

# FULKRUM

MONARCH  
Global WorkSpaces. Crafted in India.



## **Seating Excellence at Work**

Ergonomic considerations namely, a ventilating mesh back, a fine-adjustable lumbar pad and a synchronized mechanism enables its user to work comfortably and efficiently from the desk over longer periods. The user becomes the center thus, fulcrum of workflow and information movement.

## A Legacy in Design



### 2001

Fulkrum was born 18 years ago. It was Merryfair's first ever mesh chair and increased the company's visibility in the international market.

The first generation had a pair of distinctive glossy aluminium backbones that gave the seat a floating appearance too.



### 2005

The second generation was introduced with fixed loop armrests and a low backrest option as a basic entry model to expand the family range.



### 2019

The newest variant keeps Fulkrum updated to latest technical trends while maintaining its long lasting aesthetics. It features a weight-sensing auto tilt tension mechanism and adds seat depth adjustment.

The well loved Fulkrum is now available in many different variants to suit user needs and budgets.



# FULKRUM

## Synchron-Tilt Chairs

### Headrest

Cushion Headrest, adjustable for 5cm in height. Headrest shells in black polypropylene (100% recyclable).

### Backrest

A breathable polyester mesh suspension allows improved ventilation and transpiration, to provide exceptional thermal comfort. Backframe is moulded of resilient black polypropylene (100% recyclable).

### Backbone

Backbone of die-cast aluminium (100% recyclable) in a luxurious polished finish (premium finish) or a glossy silver epoxy powder coating (standard finish).

### Base

Stiletto base design is exclusive to Fulkrum, and allows extra clearance for your feet movement. This standard base is moulded of fibre-filled nylon in black colour (100% recyclable).

Optional base of die-cast aluminium (100% recyclable) in a highly-polished finish.

Hooded dual-wheel castors in black nylon. Optional glides available in place of castors, for visitor or conference applications.



### Lumbar Support Pad

Lumbar support can be conveniently adjusted by side knobs, without getting up from chair, to customize the exact support for various spinal shapes.

### Armrests

2-way armrest adjusts for 6cm in depth, and swivel into 3 angular positions. Also available in a 3-way armrest with an additional adjustment for 10cm in height.

Moulded of polypropylene and fibre-filled nylon in black colour (100% recyclable).

### Chair Mechanism

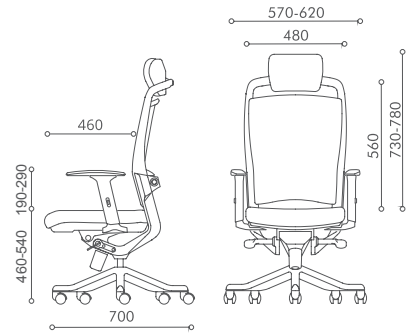
Synchro-Tilt chairs employ a synchronized mechanism with Tilt Tension Control, multi-position Tilt Lock, and pneumatic seat height control. Diecast aluminium and steel parts construction (100% recyclable).

Option for memory-return swivel column with fixed seat height, to leave a tidy, uniform chair arrangement in the conference room.

**Synchro-Tilt Ergonomic Chair  
with 3-way adjustable armrest**

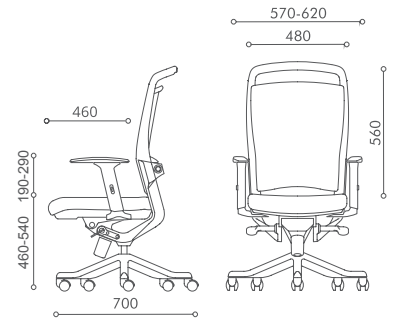
**High Back**

**P069 YF B6S V**



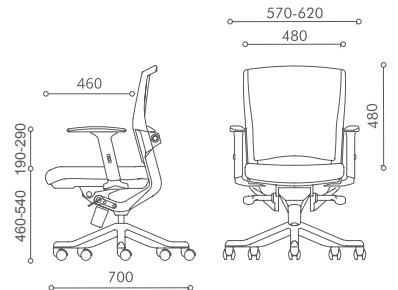
**Mid Back**

**P068 YF B6S V**



**Low Back**

**P067 YF B6S V**



Height Adjustable Headrest



Depth Adjustable Lumbar



Synchronized Mechanism



Pneumatic Seat Height Adjustable



Depth-Angle Adjustable Armpad  
2-way adjustable armpad

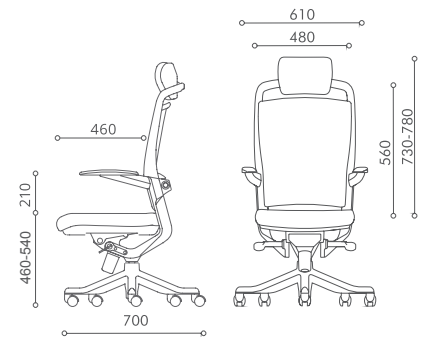


Height Adjustable Armrest

## Synchro-Tilt Ergonomic Chair with 2-way adjustable Cantilever armrest

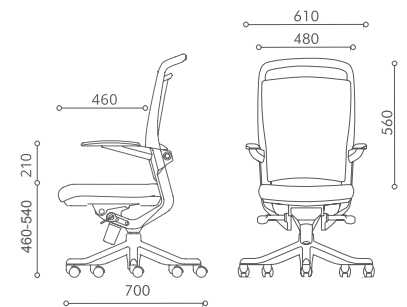
### High Back

P069 YF B23 V



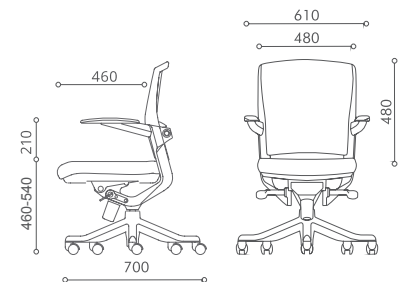
### Mid Back

P068 YF B23 V



### Low Back

P067 YF B23 V



Height Adjustable  
Headrest



Depth Adjustable  
Lumbar



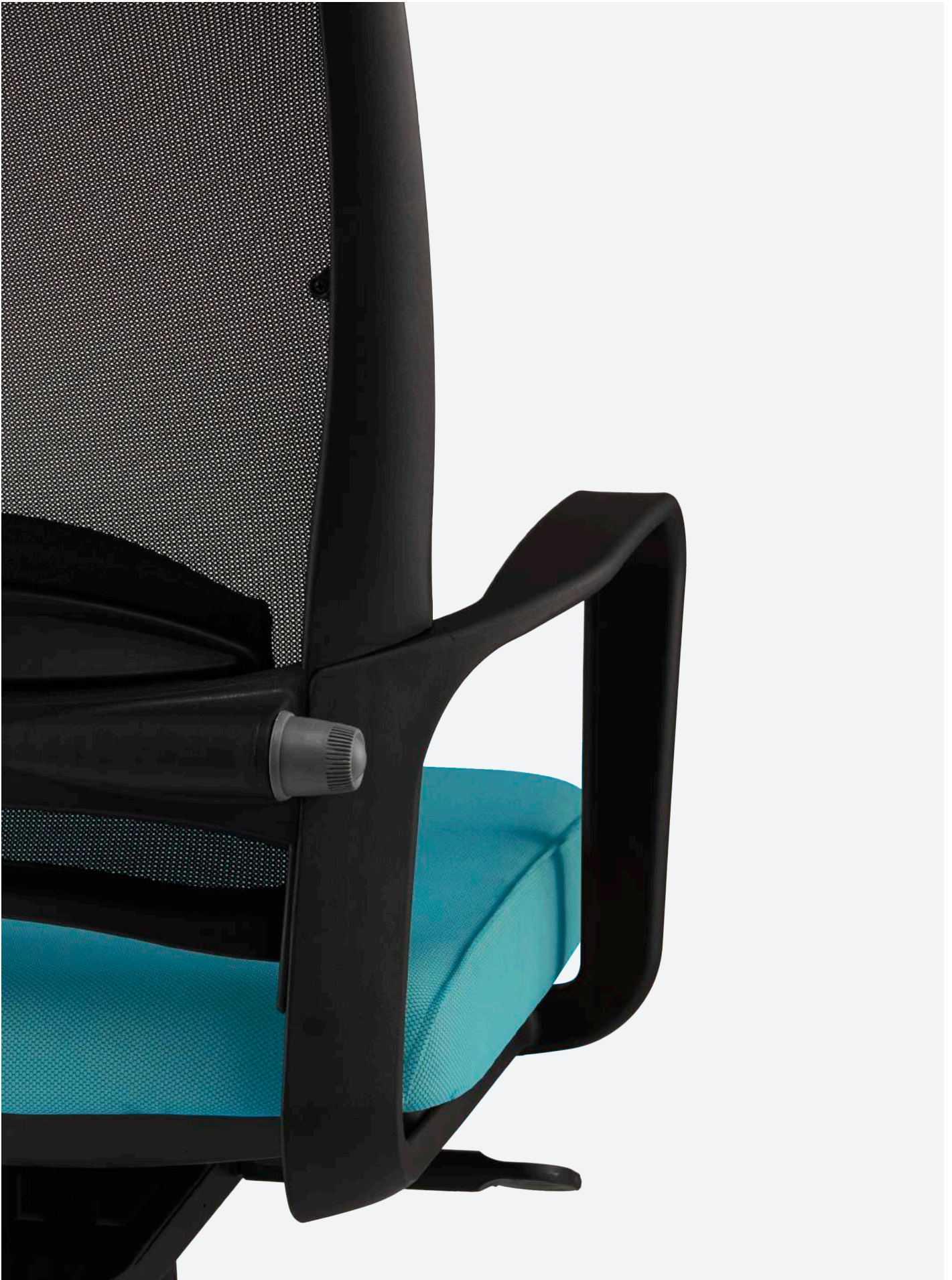
Synchronized  
Mechanism



Pneumatic Seat  
Height Adjustable



Depth-Angle  
Adjustable Armpad  
2-way adjustable armpad



# FULKRUM

## Swivel-Tilt Chairs

### Headrest

Cushion Headrest, adjustable for 5cm in height. Headrest shells in black polypropylene (100% recyclable).

### Lumbar Support Pad

Lumbar support can be conveniently adjusted by side knobs, without getting up from chair, to customize the exact support for various spinal shapes.

### Base

Stiletto base design is exclusive to Fulkrum, and allows extra clearance for your feet movement. This standard base is moulded of fibre-filled nylon in black colour (100% recyclable).

Optional base of die-cast aluminium (100% recyclable) in a highly-polished finish.

Hooded dual-wheel castors in black nylon. Optional glides available in place of castors, for visitor or conference applications.



### Backrest

A breathable polyester mesh suspension allows improved ventilation and transpiration, to provide exceptional thermal comfort. Backframe is moulded of resilient black polypropylene (100% recyclable).

### Armrests

Loop armrest is moulded of resilient polypropylene (100% recyclable) to add some flexibility to the backrest for tilting motion.

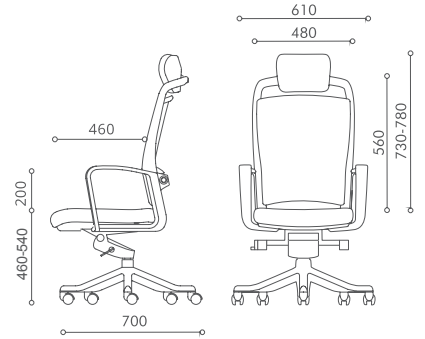
### Chair Mechanism

Advanced Swivel-tilt chairs provide Tilt Tension Control, multi-position Tilt Lock, and pneumatic seat height control. Diecast aluminium and steel parts construction (100% recyclable).

Option for memory-return swivel column with fixed seat height, to leave a tidy, uniform chair arrangement in the conference room.

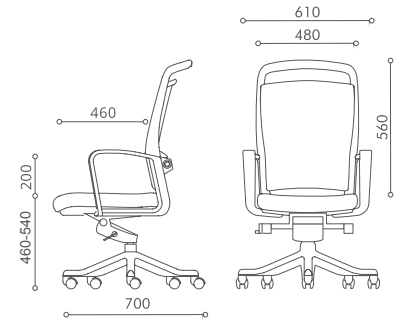
**Advanced Swivel-Tilt Chair  
with Multi-position Lock**

High Back  
P069 KD A34 V



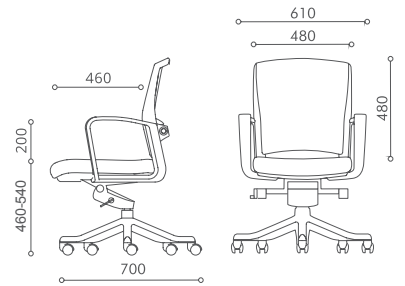
**Mid Back**

P068 KD A34 V



**Low Back**

P067 KD A34 V



Height Adjustable  
Headrest



Depth Adjustable  
Lumbar



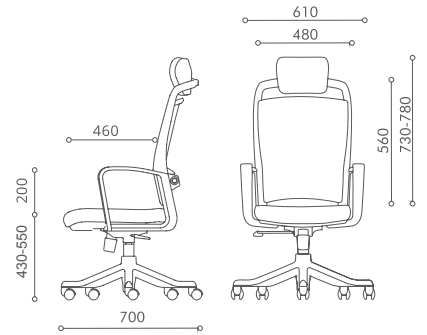
Advanced Tilt  
Mechanism



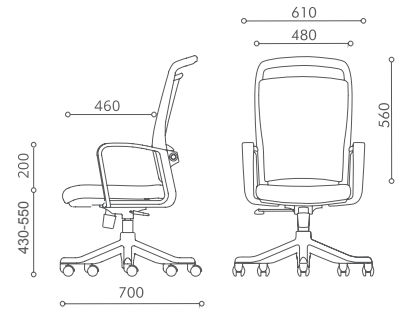
Pneumatic Seat  
Height Adjustable

**Basic Swivel-Tilt Chair  
with Upright Lock**

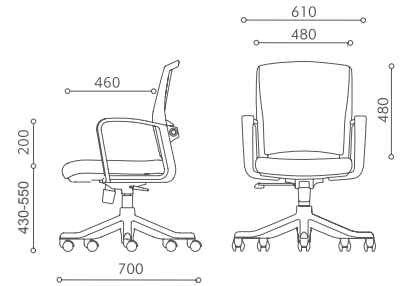
High Back  
P069 SH A34 V



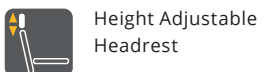
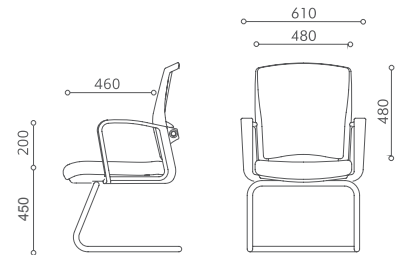
**Mid Back**  
P068 SH A34 V



**Low Back**  
P067 SH A34 V



**Visitor Chair**  
P061 NA A34 S



Height Adjustable Headrest



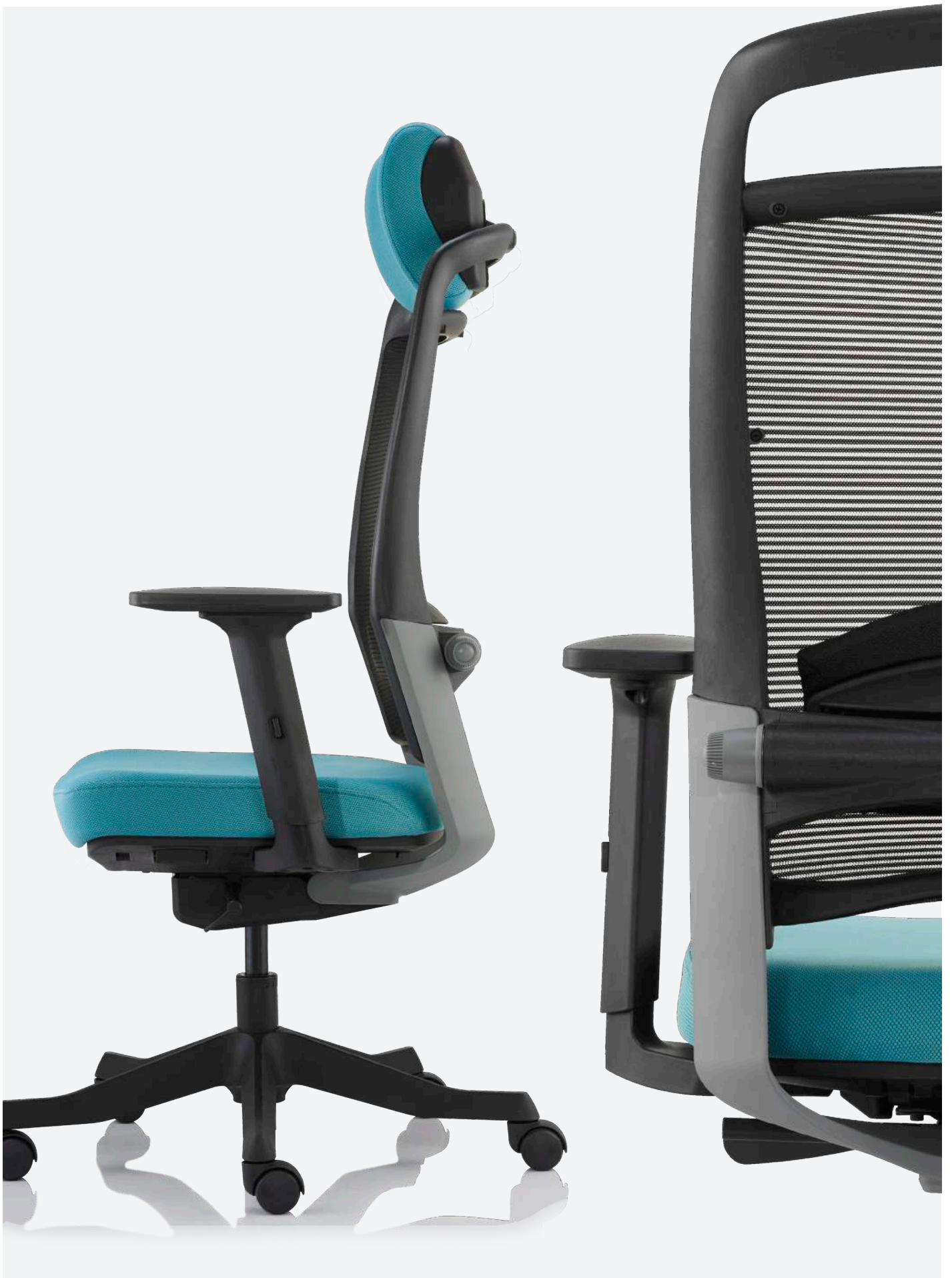
Depth Adjustable Lumbar



Basic Tilt Mechanism



Pneumatic Seat Height Adjustable



# FULKRUM

## Auto Tilt Tension Chair

### Headrest

Cushion Headrest, adjustable for 5cm in height. Headrest shells in black polypropylene (100% recyclable).

### Backrest

A breathable polyester mesh suspension allows improved ventilation and transpiration, to provide exceptional thermal comfort. Backframe is moulded of resilient black polypropylene (100% recyclable).

### Backbone

Backbone is moulded of fibre-filled nylon (100% recyclable) in charcoal colour.

### Base

Stiletto base design is exclusive to Fulkrum, and allows extra clearance for your feet movement. This standard base is moulded of fibre-filled nylon in black colour (100% recyclable).

Optional base of die-cast aluminium (100% recyclable) in a highly-polished finish.

Hooded dual-wheel castors in black nylon. Optional glides available in place of castors, for visitor or conference applications.



### Lumbar Support Pad

Lumbar support can be conveniently adjusted by side knobs, without getting up from chair, to customize the exact support for various spinal shapes.

### Armrests

3-way armrest adjusts for 10cm in height, 6cm in depth, and swivel into 3 angular positions.

Moulded of polypropylene and fibre-filled nylon in black colour (100% recyclable).

### Seat

Seat is adjustable for 6cm in depth. Shells are moulded of polypropylene (100% recyclable) in black colour.

### Chair Mechanism

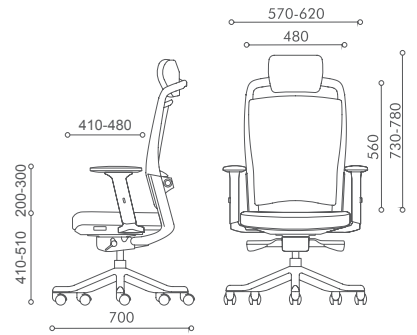
Auto Tilt-Tension mechanism self adjusts recline force to user's weight and offers multi-position Tilt Lock and pneumatic seat height control. Diecast aluminium and steel parts construction (100% recyclable).

Option for memory-return swivel column with fixed seat height, to leave a tidy, uniform chair arrangement in the conference room.

**Auto-Tilt Tension Chair  
with 3-way adjustable armrest**

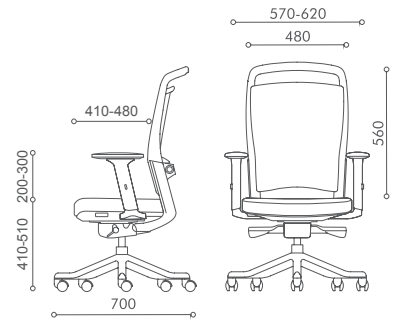
**High Back**

P069 YM A78 V



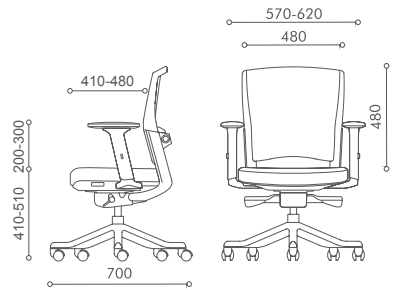
**Mid Back**

P068 YM A78 V



**Low Back**

P067 YM A78 V



Height Adjustable Headrest



Depth Adjustable Lumbar



Synchronized Mechanism



Pneumatic Seat Height Adjustable



Depth-Angle Adjustable Armpad  
2-way adjustable armpad



Height Adjustable Armrest

## Fulkrum: Options Armrest



2-way Adjustable  
Armrest  
(B23)



3-way Adjustable  
Armrest  
(B6S)



Loop Armrest  
(A34)



3-way Adjustable  
Armrest  
(A78)

## Mechanism



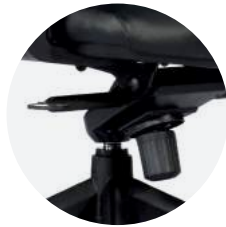
Auto Tension  
Tilt Mechanism  
(YM)



Synchronized  
Tilt Mechanism  
(YF)



Advanced Knee  
Tilt Mechanism  
(KD)



Knee Tilt  
Mechanism  
(KT)



Spring Head  
Mechanism  
(SH)

## Backbone



Aluminium backbone  
in silver epoxy  
powder coating



Aluminium backbone  
in polished finished

## Base



350 Stiletto Base  
(V)



Aluminium base in  
polished finished  
(VP/B/W)



Cantilever Base  
(Silver)  
(S)



# MONARCH

Global WorkSpaces. Crafted in India.

**Corporate Office**

Survey No. 34,

Medchal, Hyderabad,

Telangana - 501401.

Mobile: +91-9701116999

Email: [contact@monarchergo.com](mailto:contact@monarchergo.com)

Ahmedabad : Bengaluru : Chennai : Delhi NCR : Hyderabad : Kochi : Kolkata : Mumbai : Pune : USA(California)

Global WorkSpaces. Crafted in India.